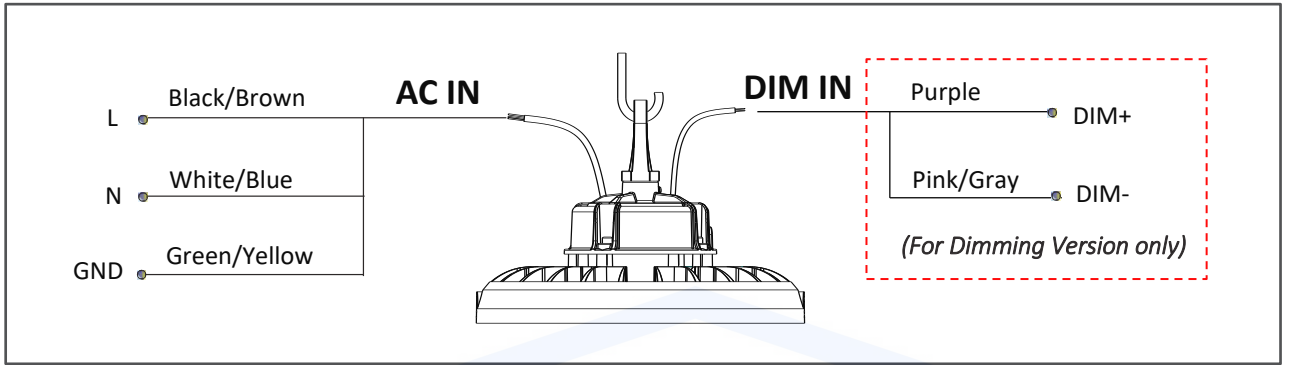
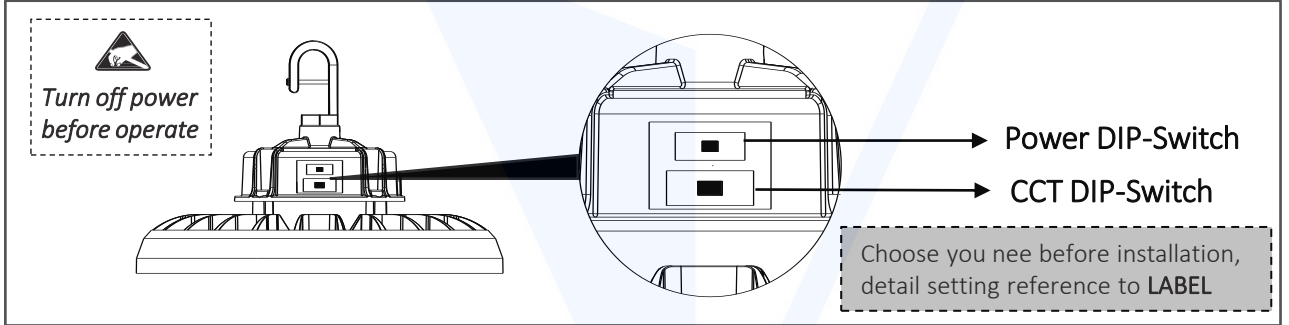


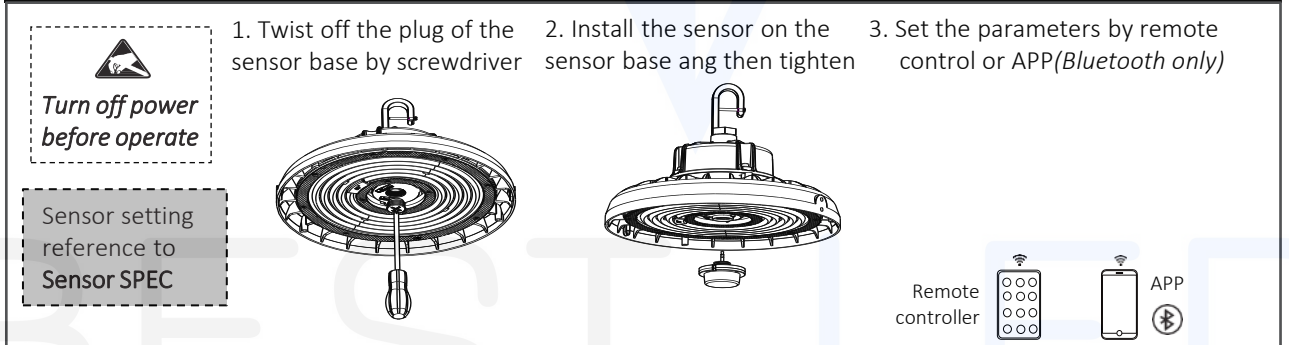
Wiring Diagram



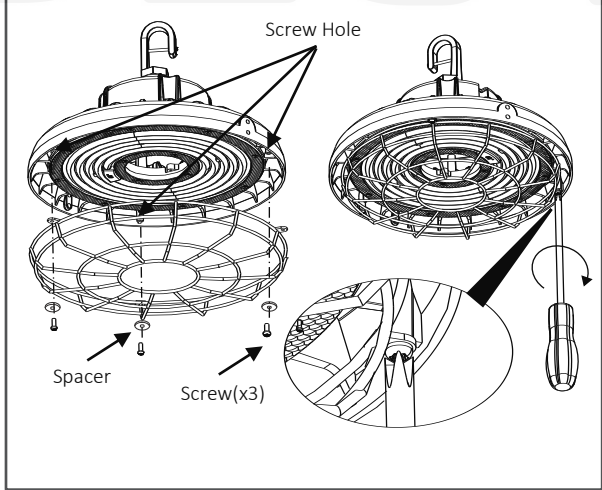
OPTIONS: Power and CCT Selectable version only



OPTIONS: Sensor version only



OPTIONS: Wire Guard (order separately)



OPTIONS: Reflector (order separately)

